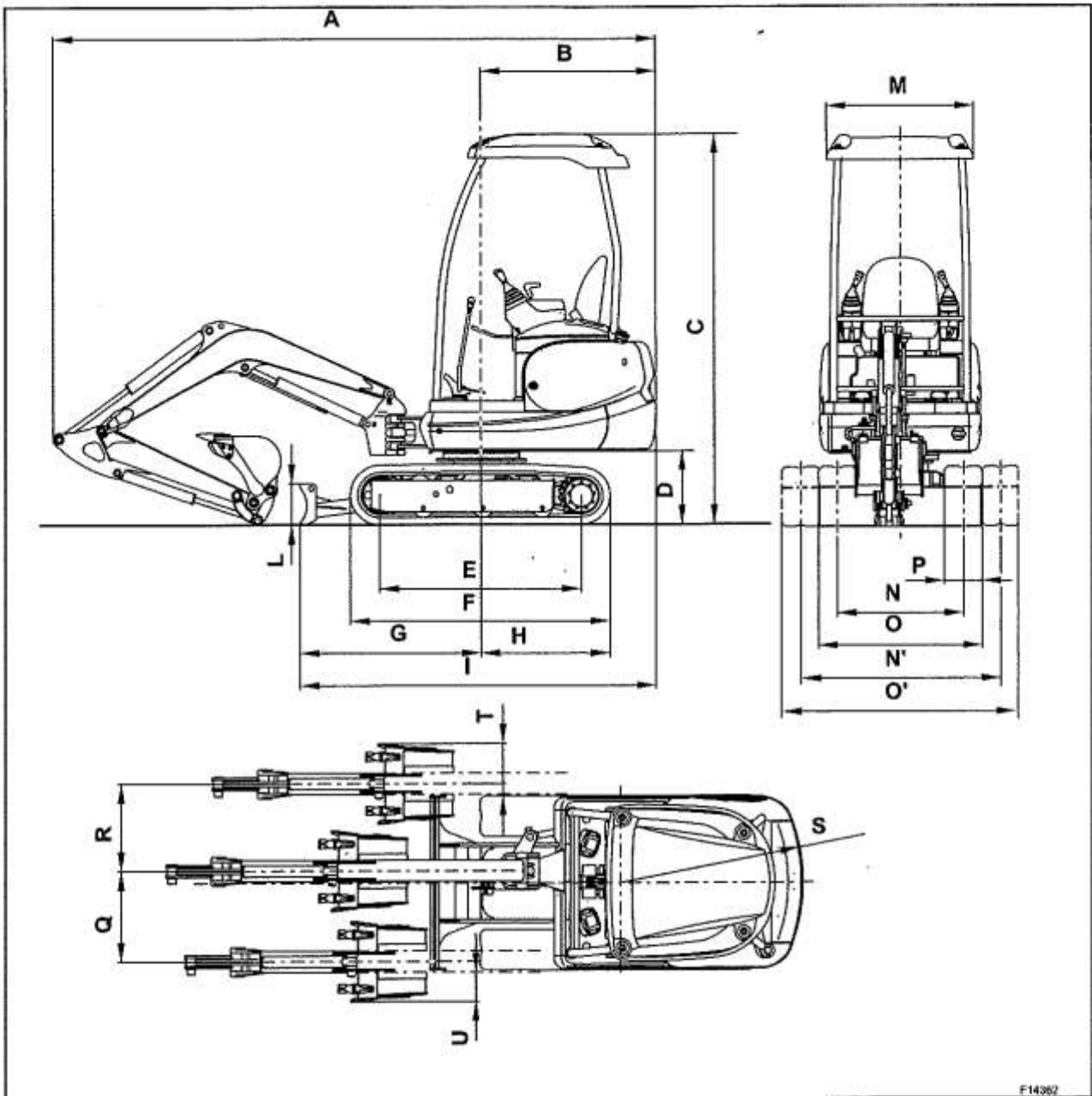


### 1.7.4 TRANSPORT DIMENSIONS (CANOPY)

With 0.044 m<sup>3</sup> bucket



F14362

(Dimensions in mm)

*	A	B	C	D	E	F	G	H	I	L	M	N	N'	O	O'	P	Q	R	S	T	U
1020	3620	1050	2350	440	1220	1570	1080	770	2130	250	980	760	1070	990	1300	230	505	560	1050	360	170
1220	3650	1050	2350	440	1220	1570	1080	770	2130	250	980	760	1070	990	1300	230	505	560	1050	360	170

\* Versions with arm