

8
(m)

7

6

5

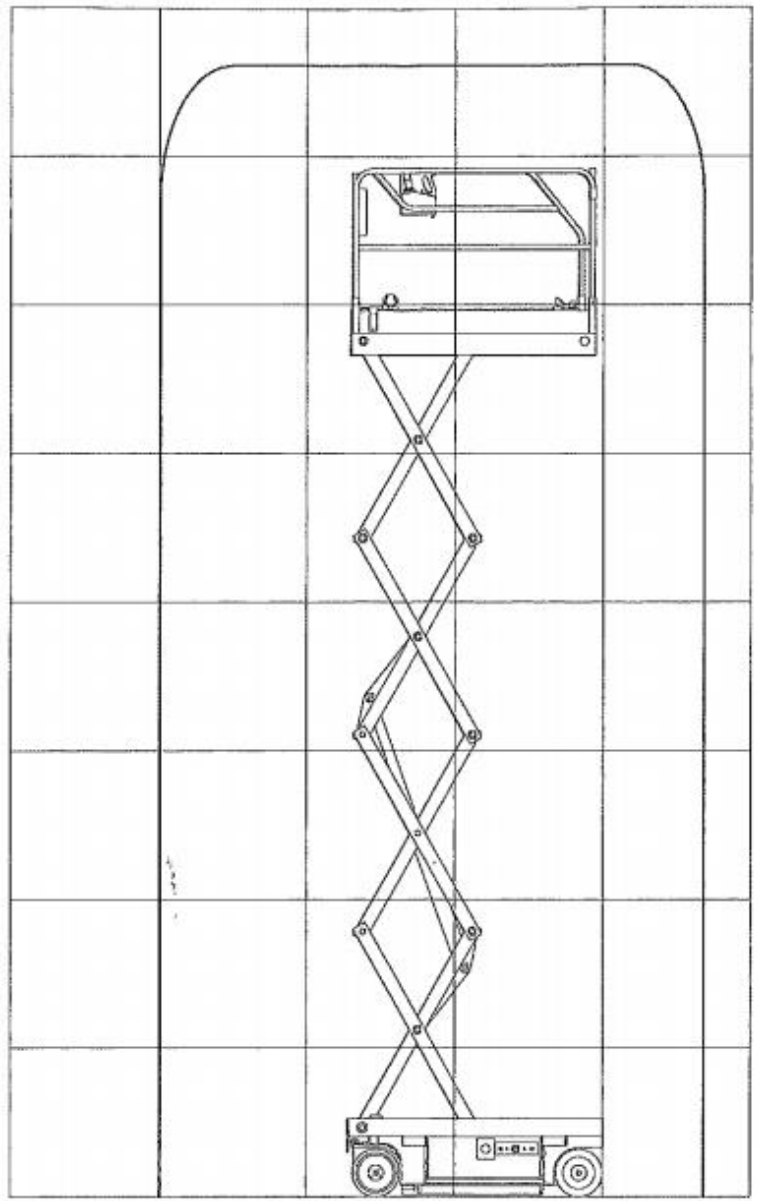
4

3

2

1

0



-4

-3

-2

-1

0

1

(m)

